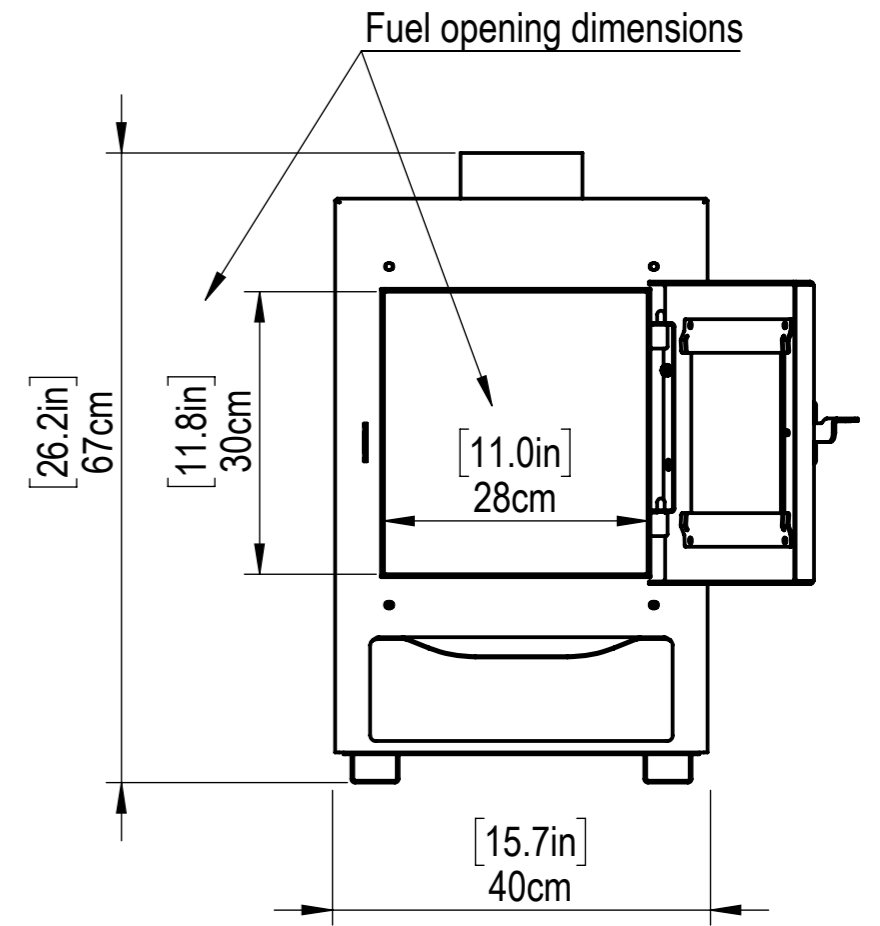
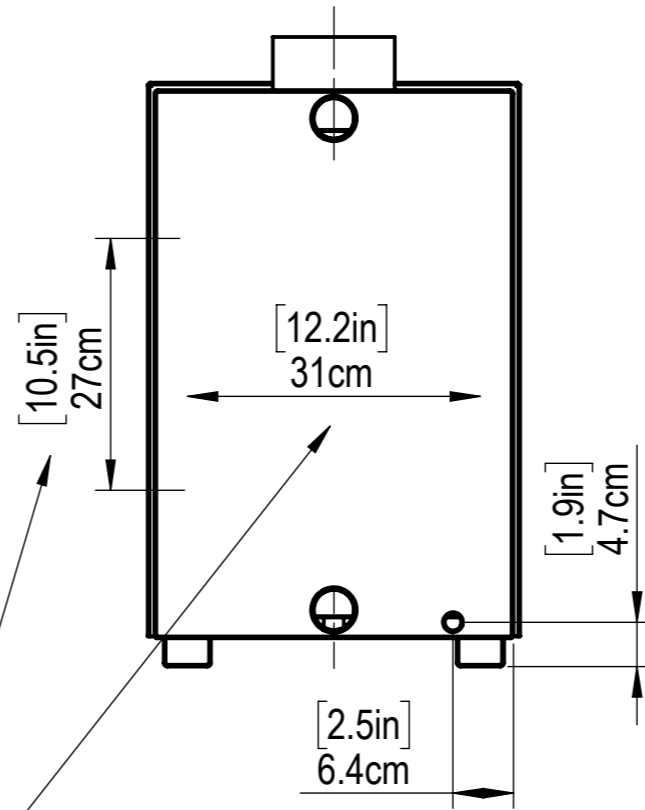
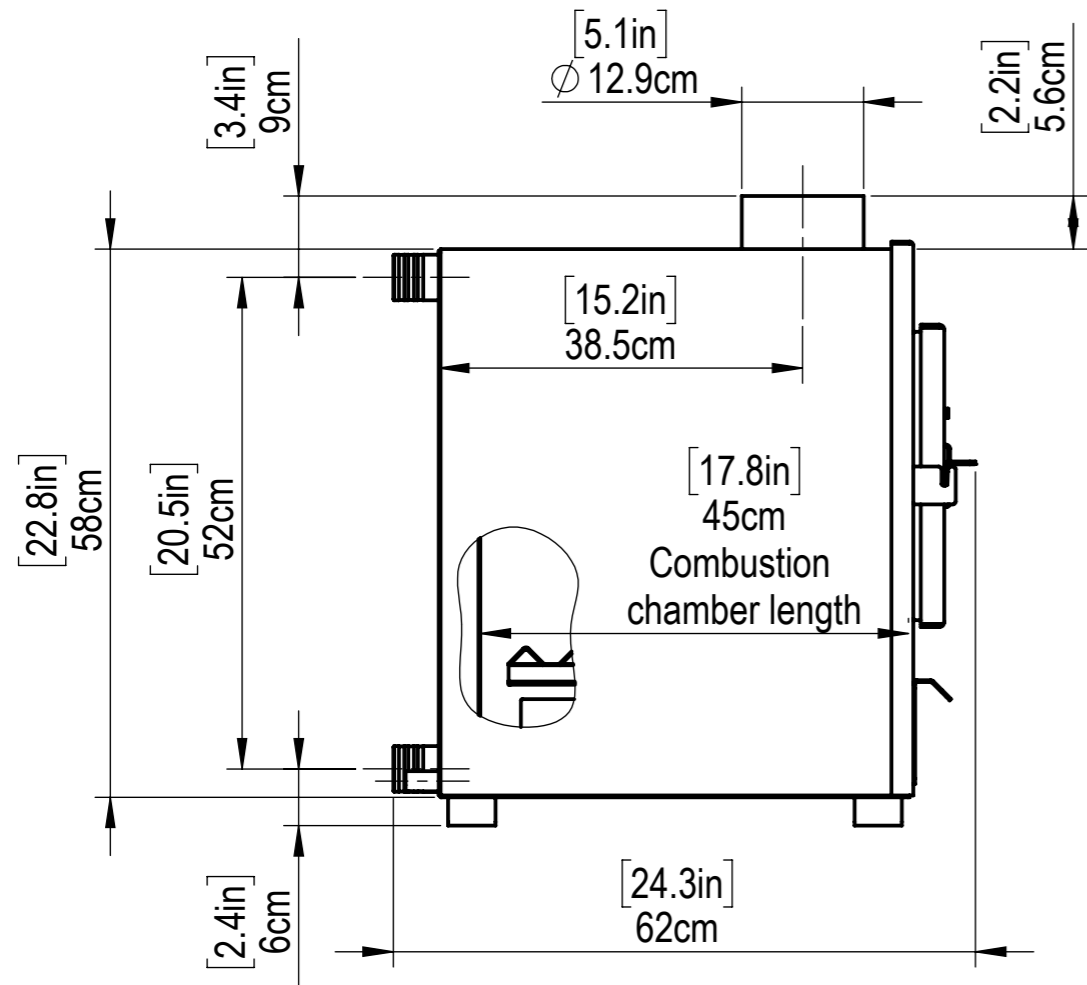
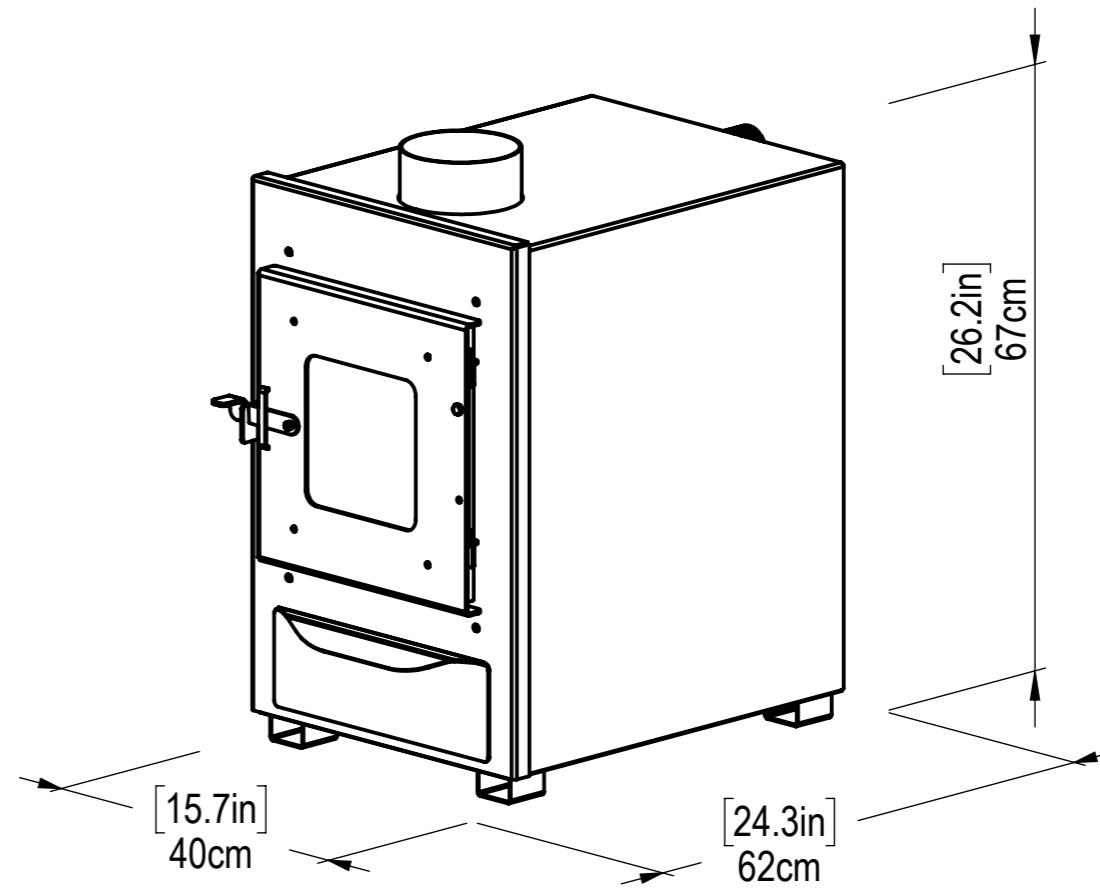
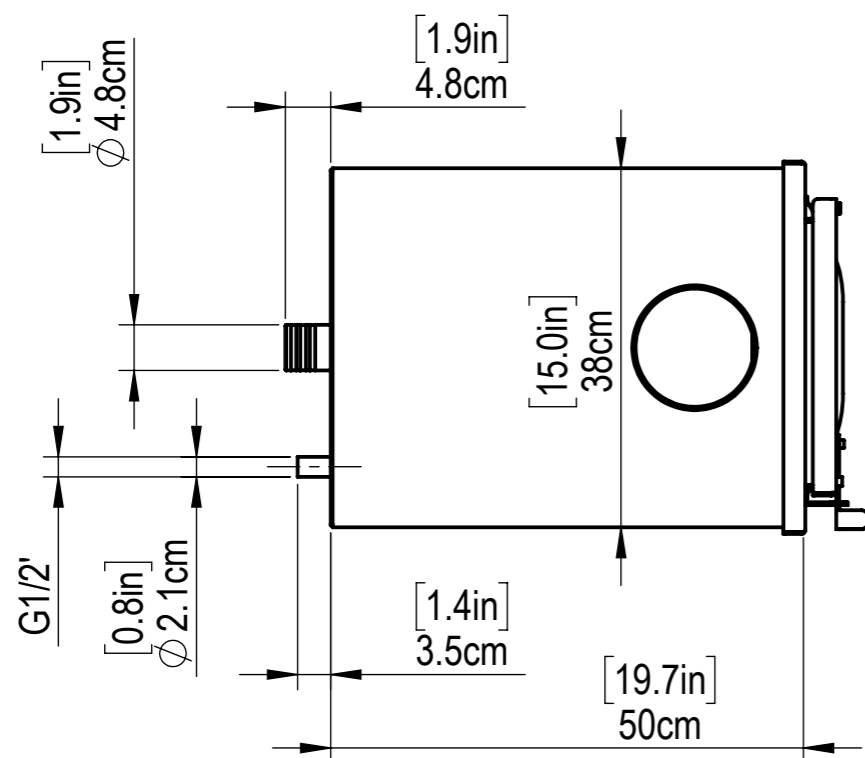


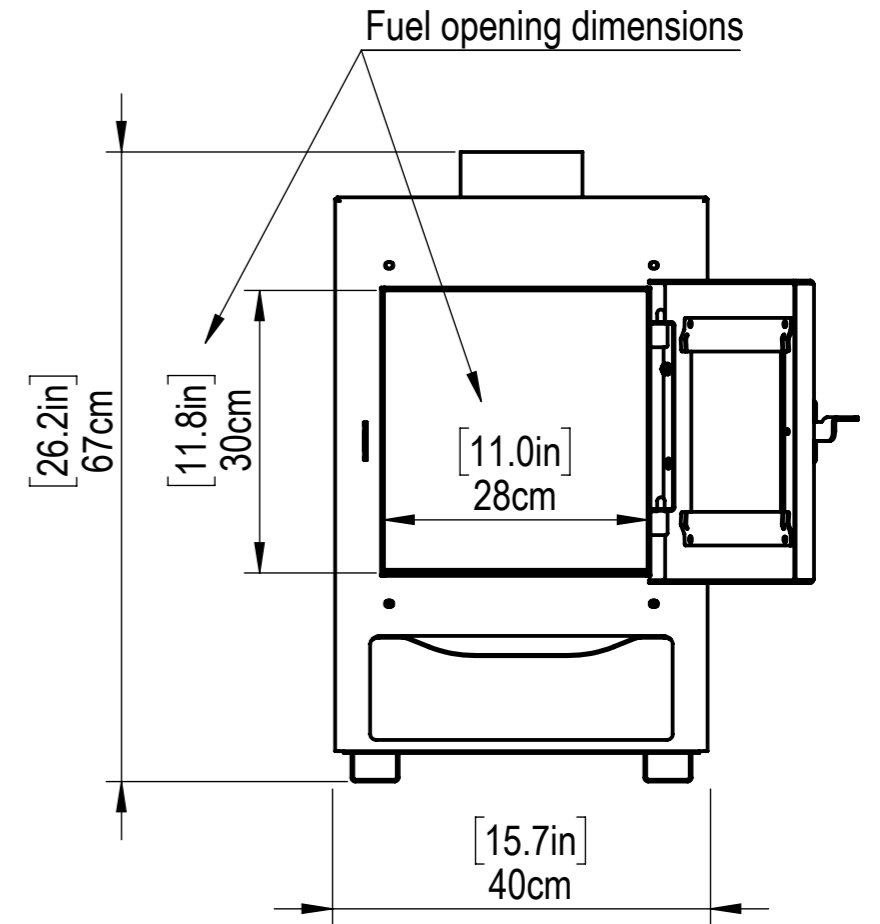
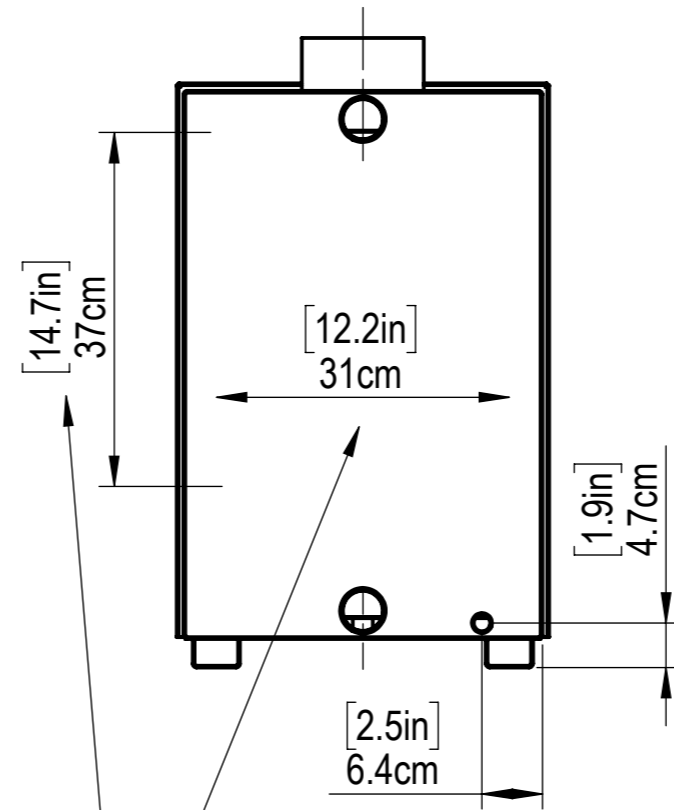
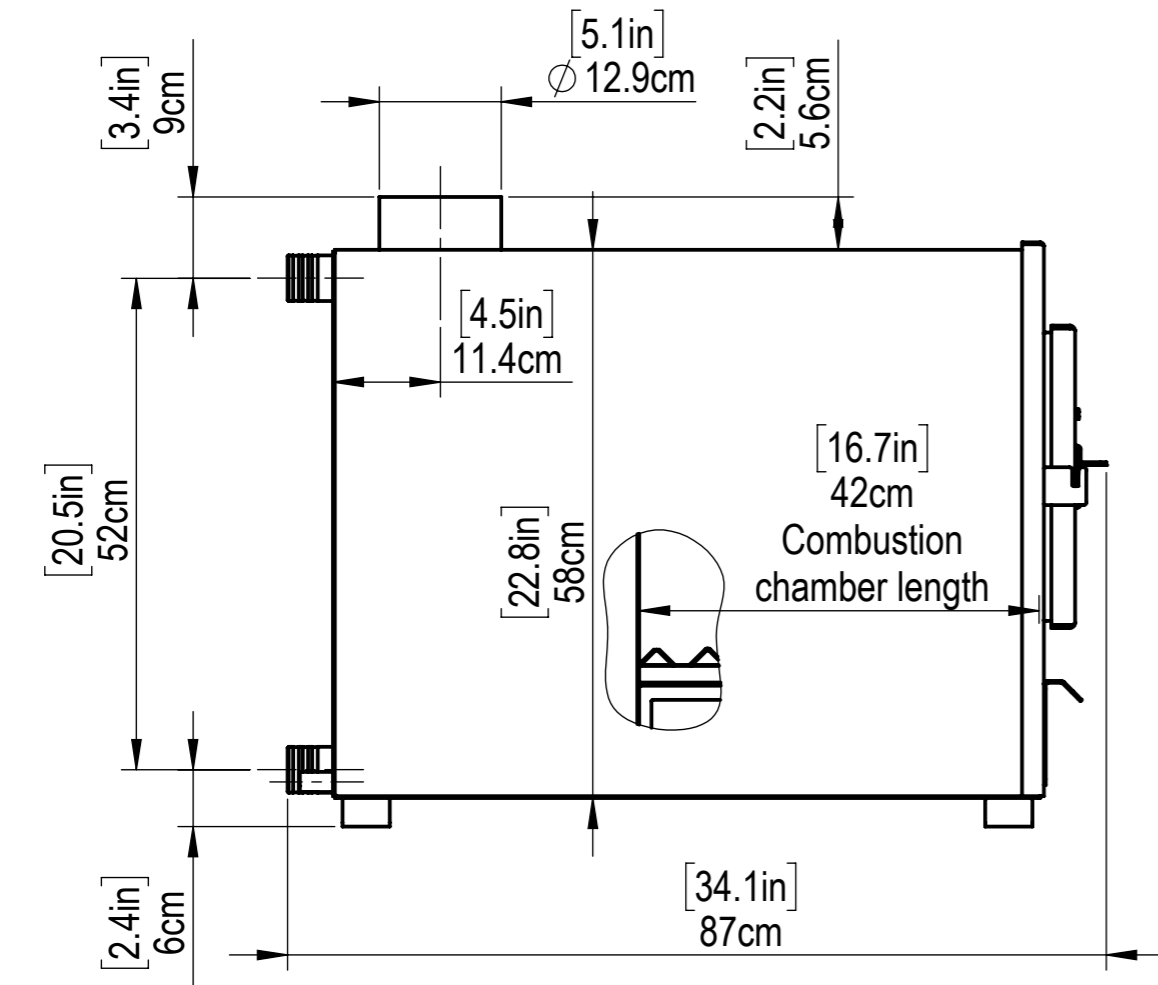
# BFTS-50, 22kW



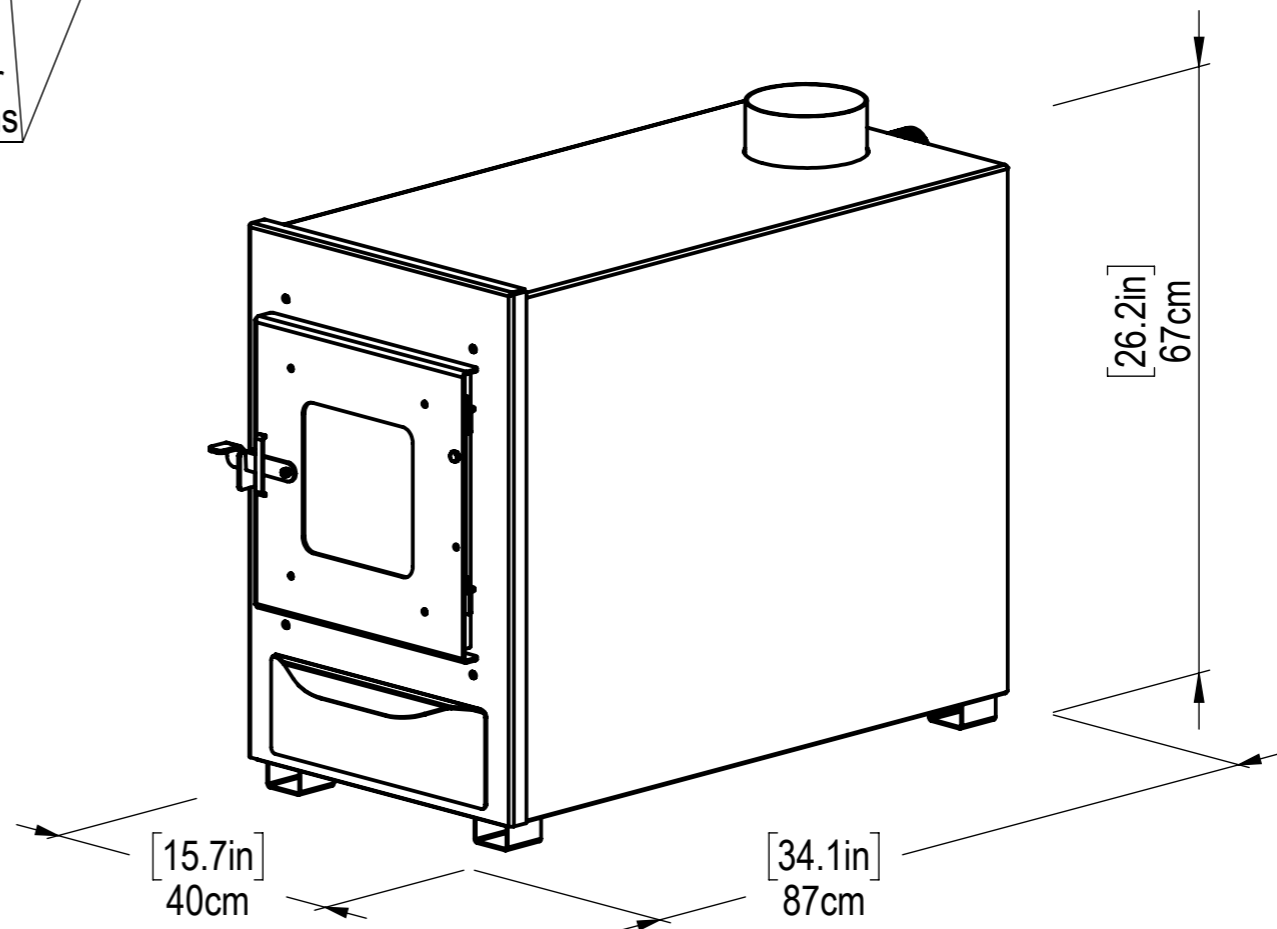
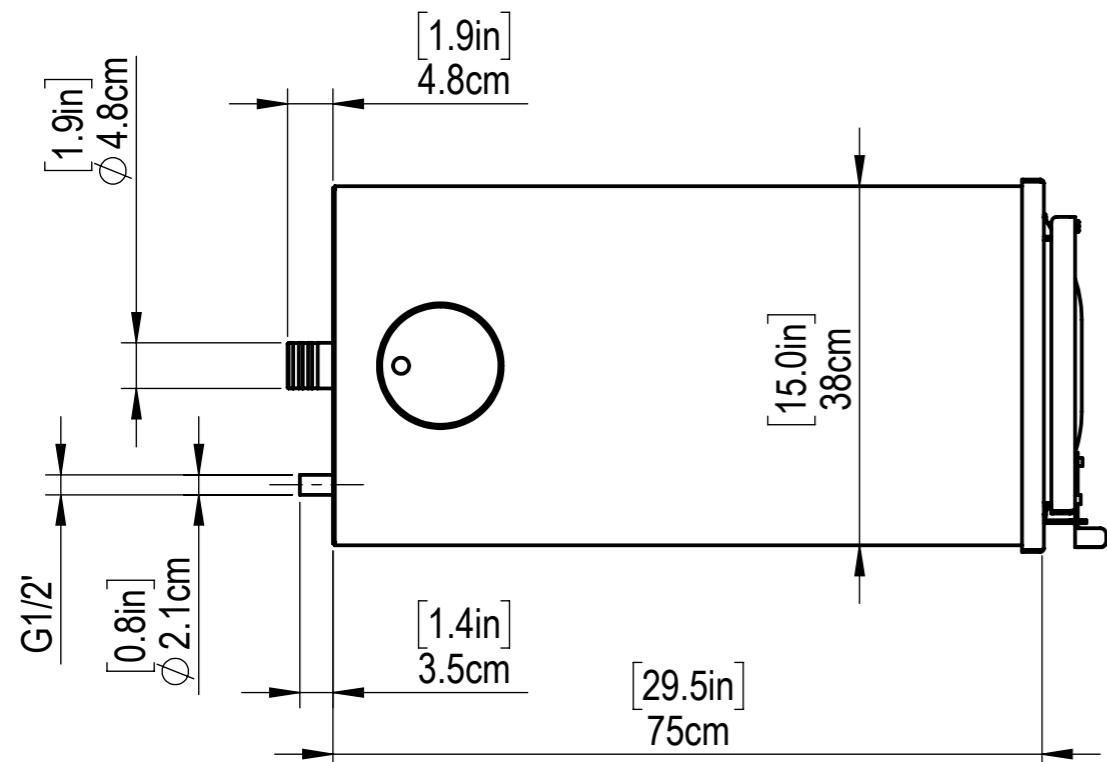
Combustion chamber cross-section dimensions



# BFTS-75, 28kW



Combustion chamber cross-section dimensions



# BFTS-100, 35kW

