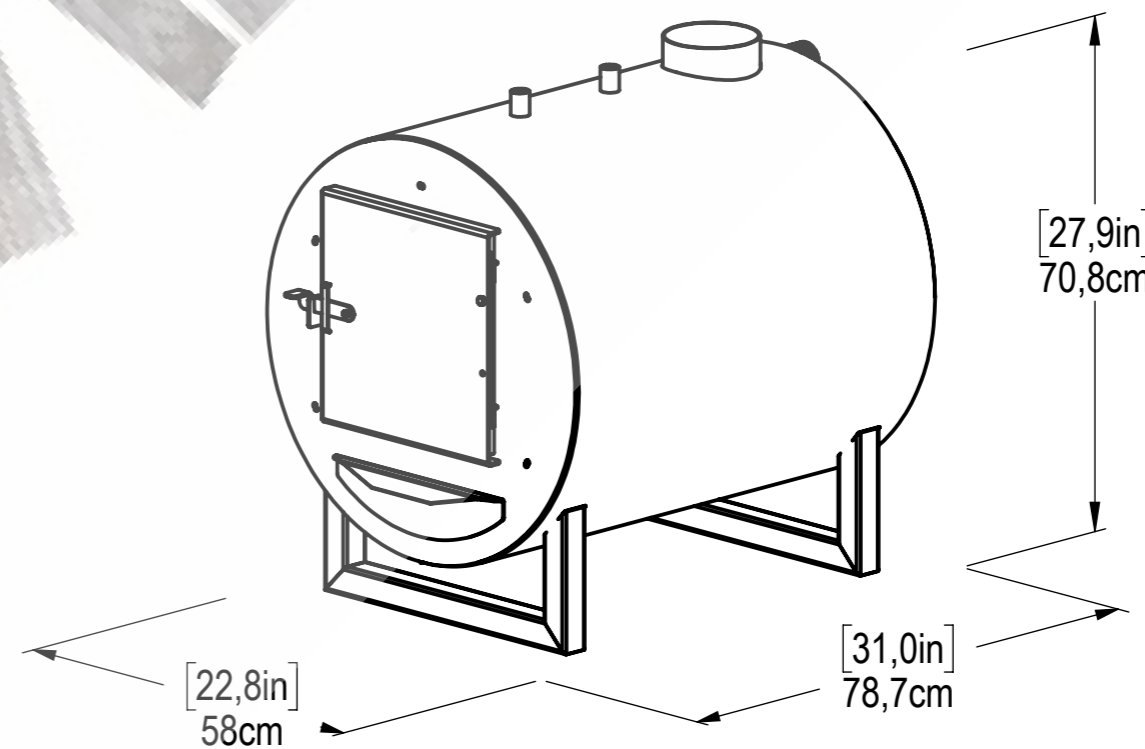
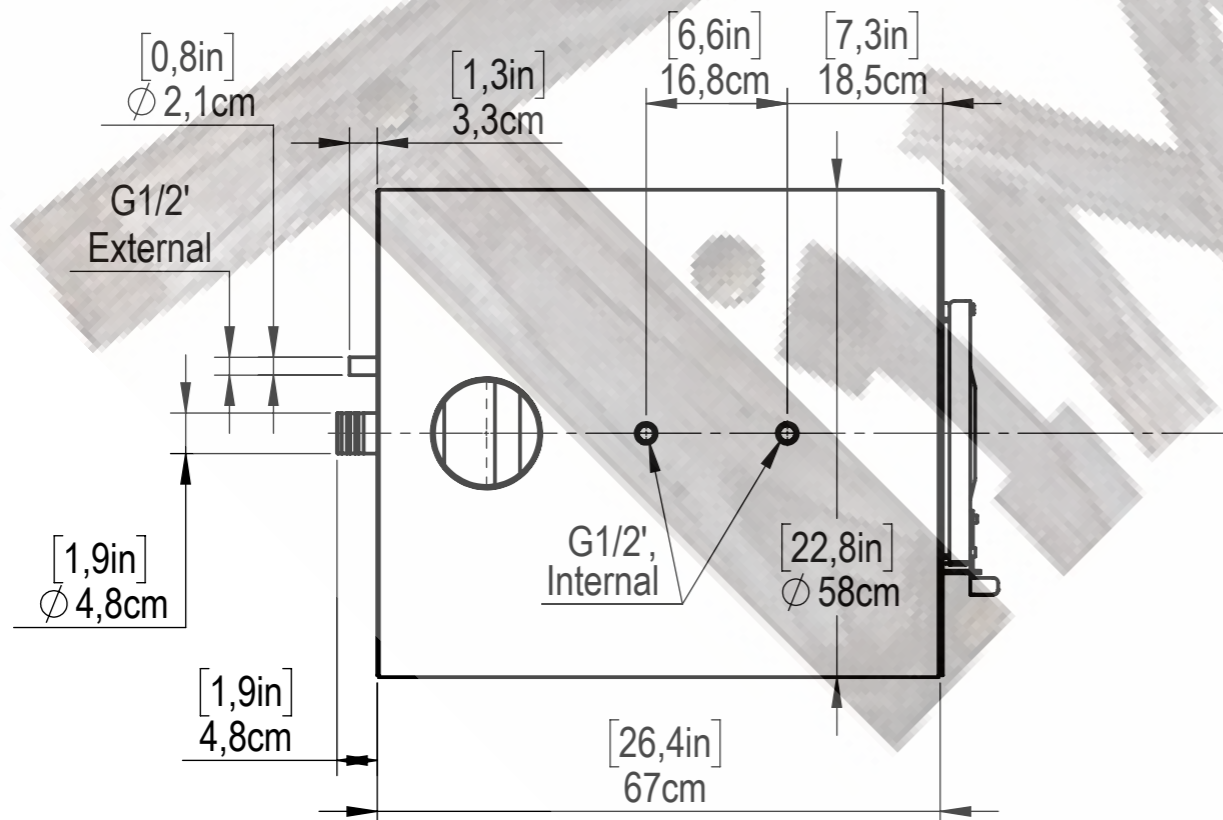
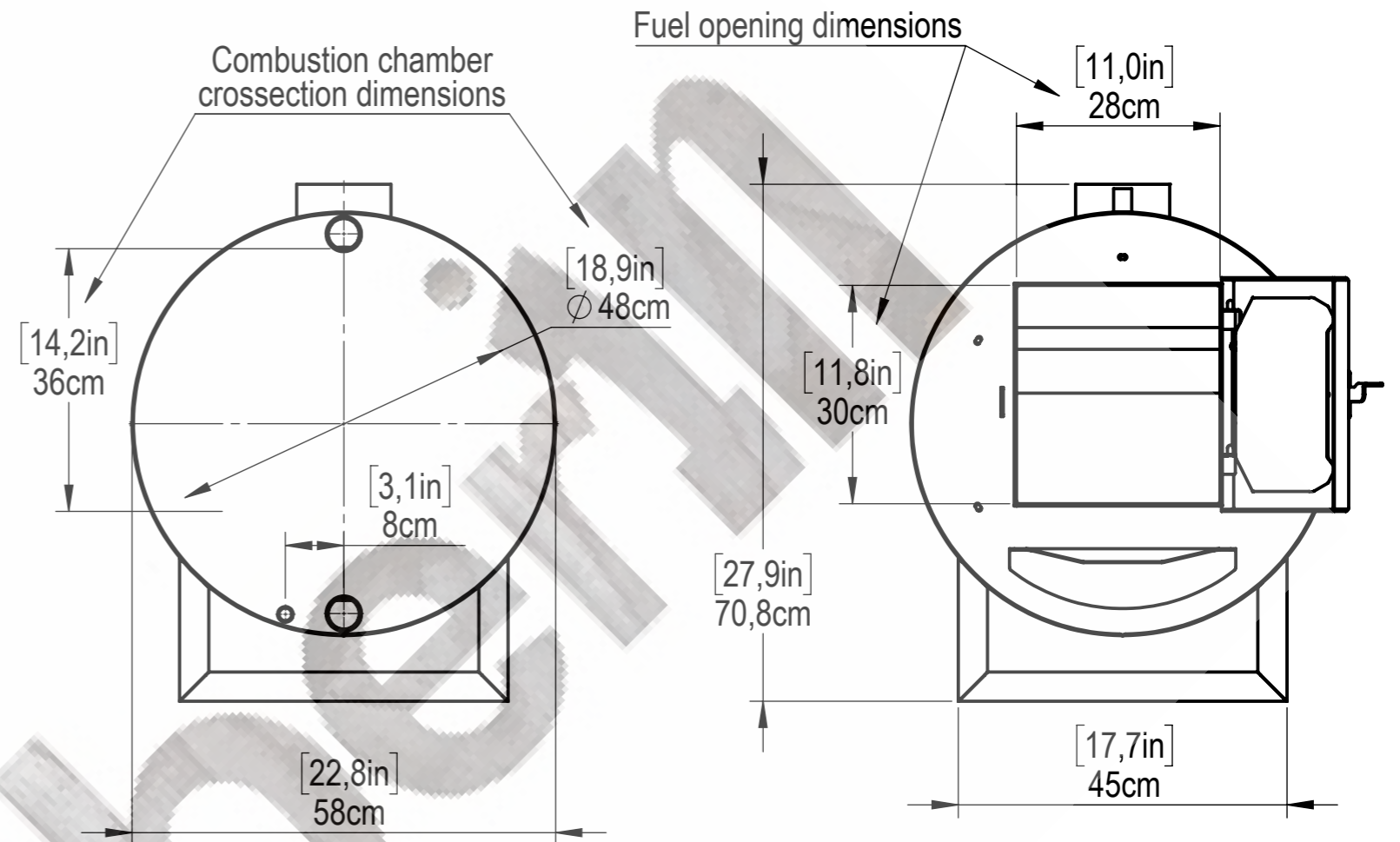
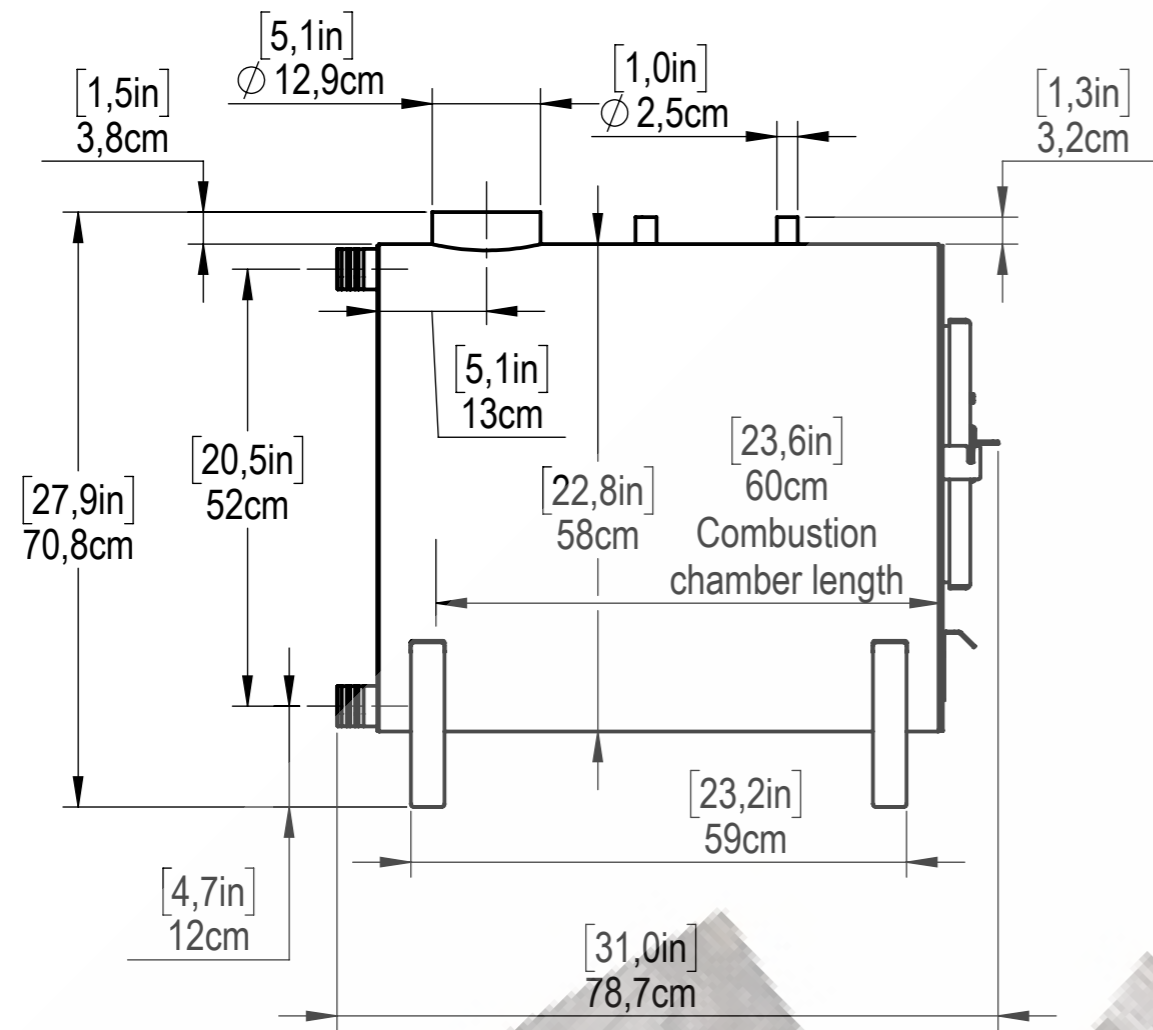
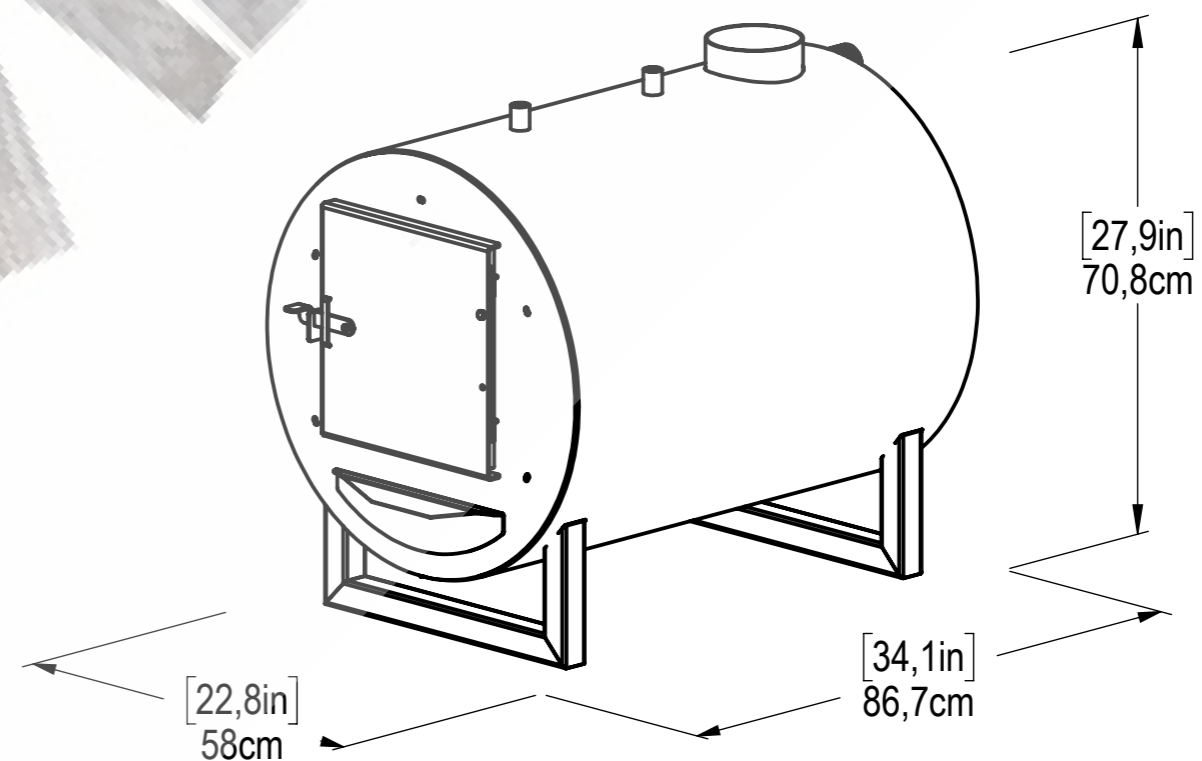
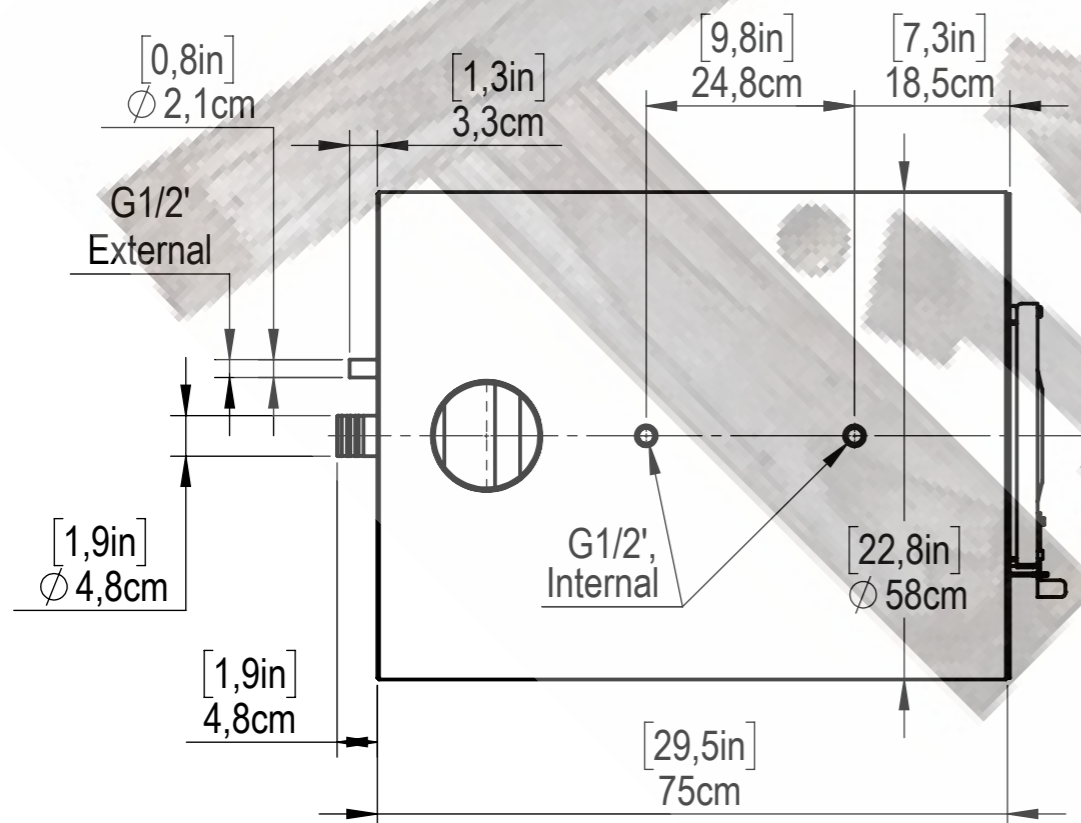
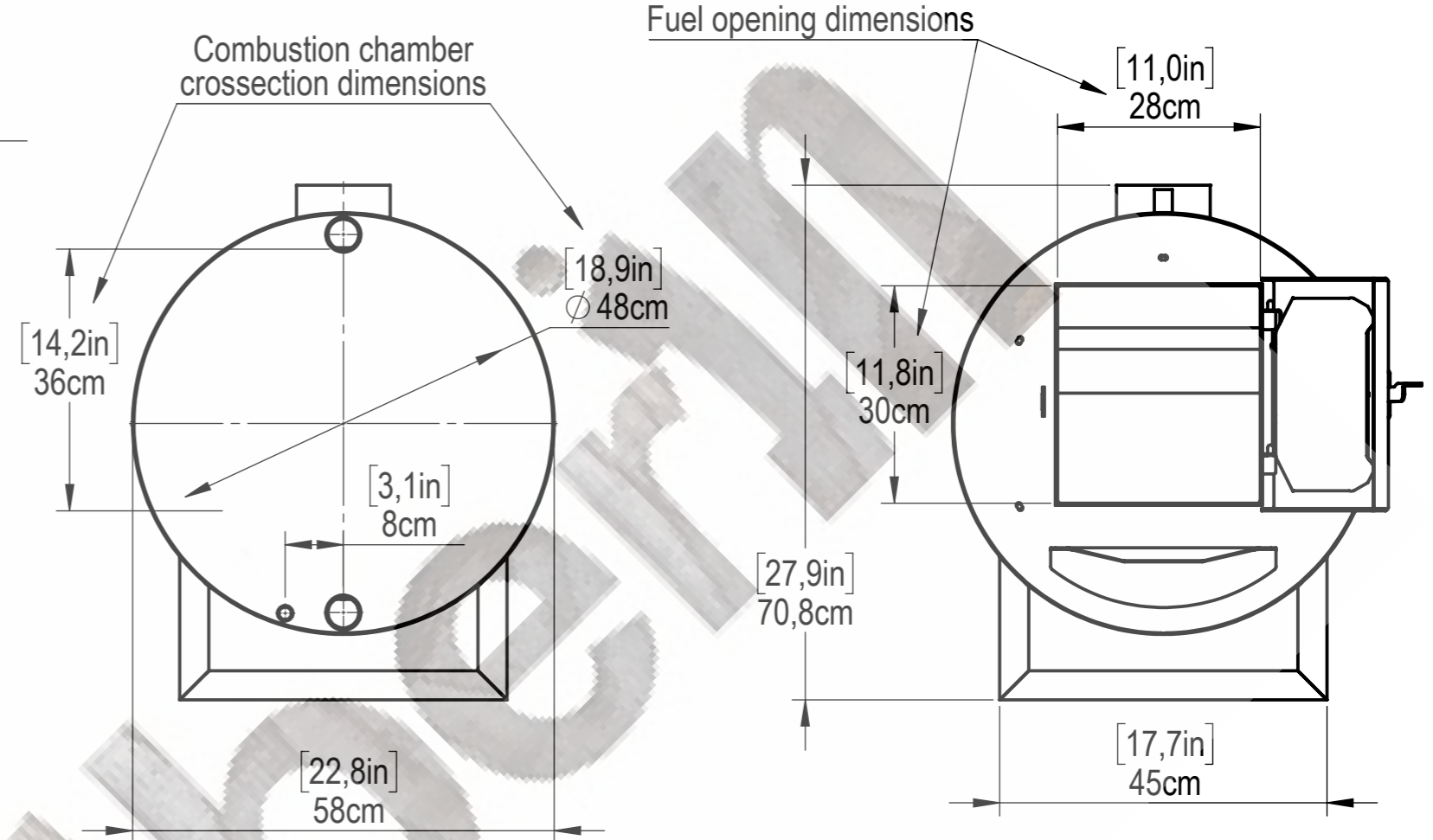
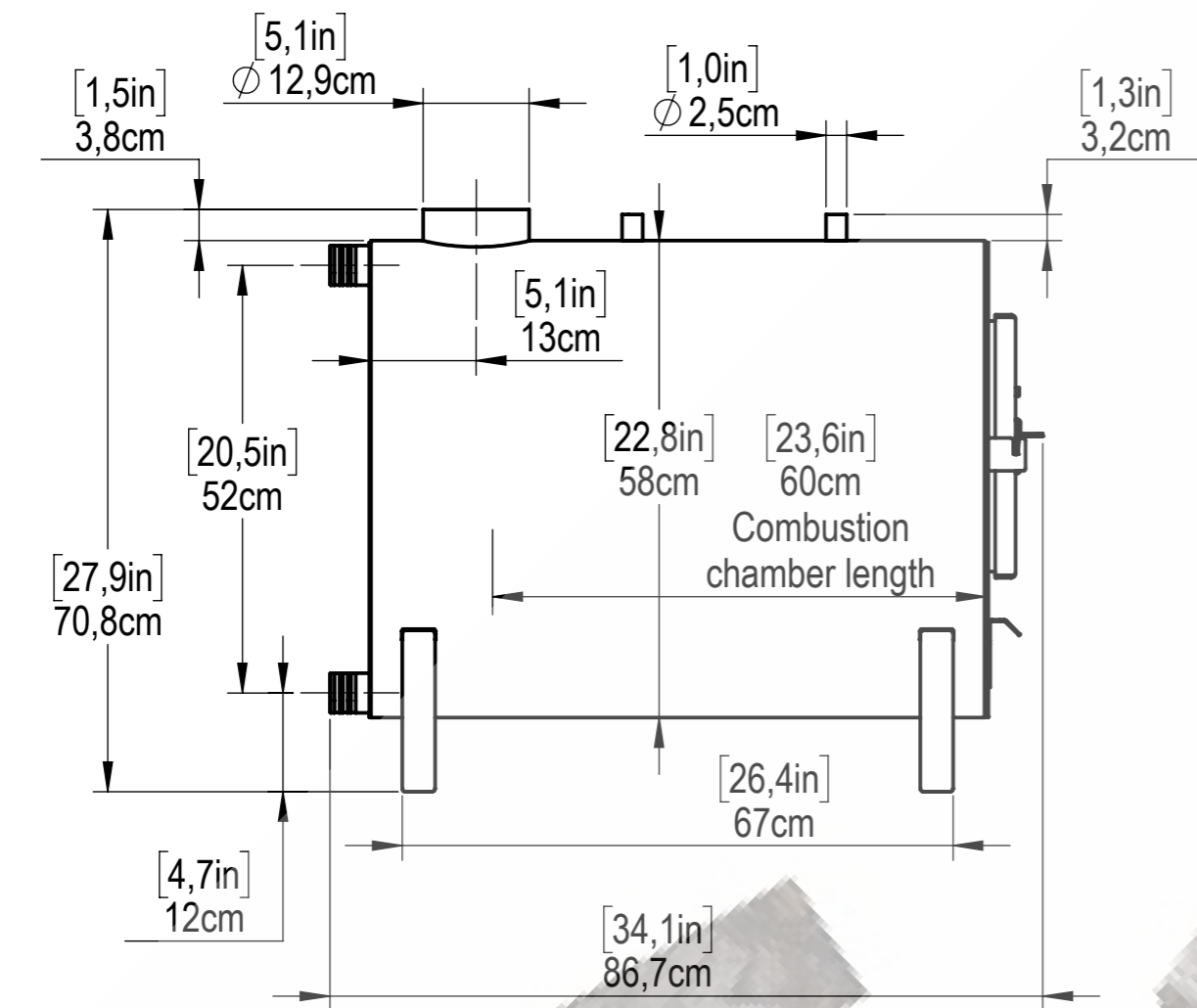


# BFTA-37, 22kW



# BFTA-75, 28kW



# BFTA-100, 35kW

