

**ENG:** The measurements mentioned in the drawings and in TimberIN websites are only approximate data. They will differ from the measurements of the finished product. It is due to the fact that our products are individually designed and hand-made. However, if one or more measurements are very important, please mention before ordering. We will pay big attention to your requirements in the production process. This will ensure that the product will be produced as closely as possible to your requirements.

**DE:** Die in den Zeichnungen und auf den TimberIN-Websites genannten Maße sind nur ungefähre Angaben. Sie unterscheiden sich von den Maßen des fertigen Produkts. Dies liegt daran, dass unsere Produkte individuell gestaltet und handgefertigt werden. Wenn jedoch eine oder mehrere Messungen sehr wichtig sind, geben Sie dies bitte vor der Bestellung an. Wir werden Ihre Anforderungen im Produktionsprozess sehr berücksichtigen. Dadurch wird sichergestellt, dass das Produkt so genau wie möglich Ihren Anforderungen entspricht.

**FR:** Les mesures mentionnées dans les dessins et sur les sites Web TimberIN ne sont que des données approximatives. Ils différeront des mesures du produit fini. Cela est dû au fait que nos produits sont conçus individuellement et fabriqués à la main. Cependant, si une ou plusieurs mesures sont très importantes, merci de le mentionner avant de commander. Nous prêterons une grande attention à vos besoins dans le processus de production. Cela garantira que le produit sera fabriqué aussi près que possible de vos besoins.

**DK:** Målingerne nævnt på tegningerne og på TimberIN-websteder er kun omtrentlige data. De afviger fra målingerne af det færdige produkt. Det skyldes, at vores produkter er individuelt designet og håndlavet. Hvis en eller flere målinger dog er meget vigtige, skal du nævne det før du bestiller. Vi vil være meget opmærksomme på dine krav i produktionsprocessen. Dette vil sikre, at produktet produceres så tæt som muligt efter dine krav.

**NO:** Målingene nevnt på tegningene og på TimberIN nettsted er bare omtrentlige data. De vil avvike fra målingene av det ferdige produktet. Det skyldes det faktum at produktene våre er individuelt designet og håndlaget. Imidlertid, hvis en eller flere målinger er veldig viktige, må du nevne før du bestiller. Vi vil ta stor vekt på dine krav i produksjonsprosessen. Dette vil sikre at produktet blir produsert så nært som mulig dine behov.

**IT:** Le misure menzionate nei disegni e nei siti Web di TimberIN sono solo dati approssimativi. Differiranno dalle misure del prodotto finito. È dovuto al fatto che i nostri prodotti sono progettati e realizzati a mano individualmente. Tuttavia, se una o più misurazioni sono molto importanti, si prega di menzionare prima di ordinare. Presteremo grande attenzione alle vostre esigenze nel processo di produzione. Ciò garantirà che il prodotto sarà prodotto il più vicino possibile alle vostre esigenze.

**NL:** De in de tekening en op TimberIN-websites genoemde metingen zijn slechts benaderende gegevens. Ze zullen verschillen van de afmetingen van het eindproduct. Het is te wijten aan het feit dat onze producten individueel zijn ontworpen en met de hand zijn gemaakt. Als een of meer metingen erg belangrijk zijn, vermeld dit dan voordat u bestelt. We zullen veel aandacht besteden aan uw eisen in het productieproces. Dit zorgt ervoor dat het product zo dicht mogelijk bij uw eisen wordt geproduceerd.

**SWE:** Mätningarna som nämns på ritningarna och på TimberIN-webbplatser är endast ungefärliga data. De kommer att skilja sig från måtten på den färdiga produkten. Det beror på att våra produkter är individuellt designade och handgjorda. Om en eller flera mätningar är mycket viktiga, berätta dock innan du beställer. Vi kommer att ägna stor uppmärksamhet åt dina krav i produktionsprocessen. Detta kommer att säkerställa att produkten produceras så nära dina krav som möjligt.

**PL:** Pomiarы wymienione na rysunkach i na stronach internetowych TimberIN są jedynie danymi przybliżonymi. Będą się różnić od pomiarów gotowego produktu. Wynika to z faktu, że nasze produkty są indywidualnie zaprojektowane i wykonane ręcznie. Jeśli jednak co najmniej jeden pomiar jest bardzo ważny, należy o tym wspomnieć przed złożeniem zamówienia. Zwrócimy dużą uwagę na Twoje wymagania w procesie produkcyjnym. Zapewni to, że produkt będzie produkowany jak najbliżej Twoich wymagań.

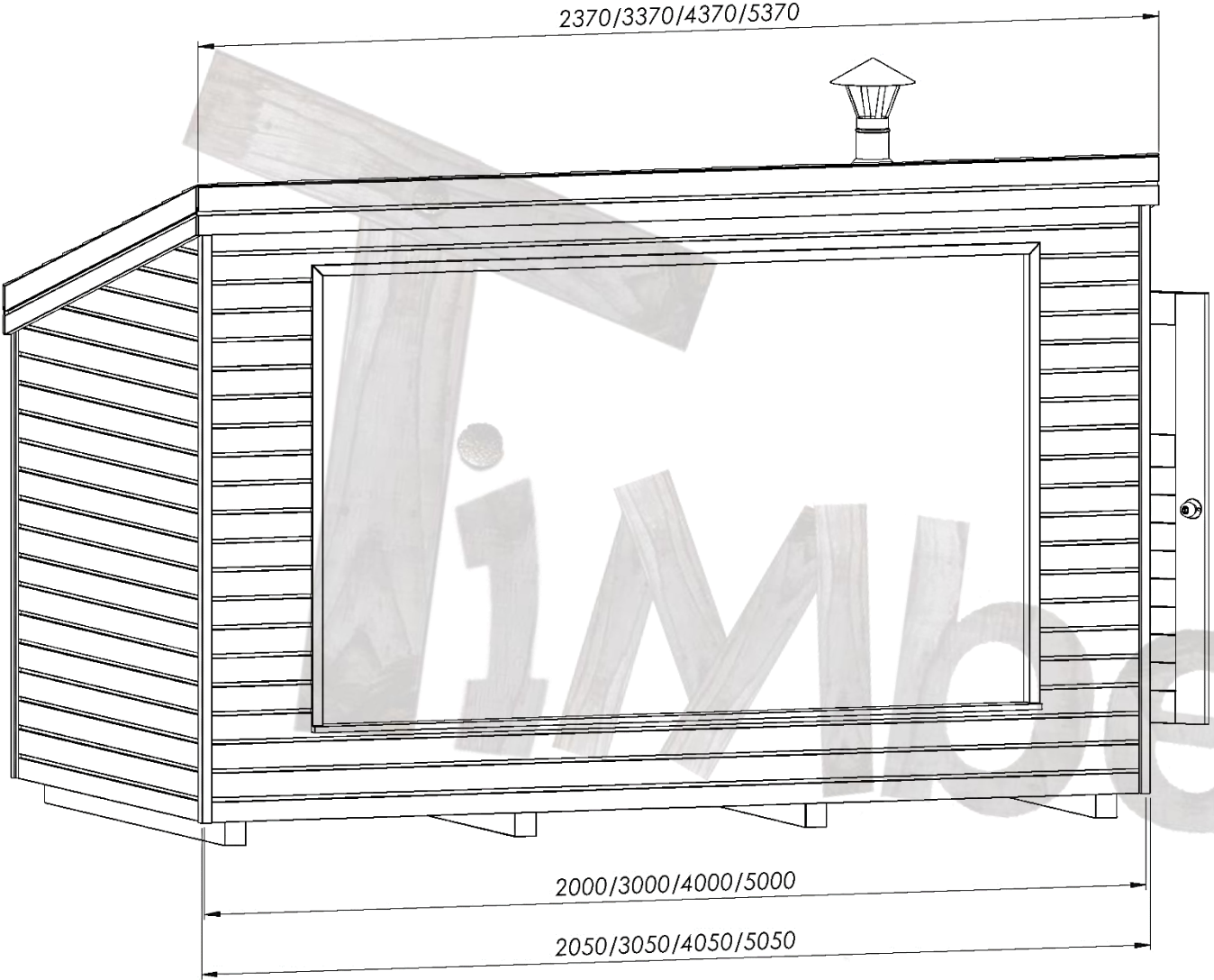
# MODERN OUTDOOR GARDEN SAUNA TECHNICAL SHEET



## Table of contents

GENERAL INFO (1) .....	3
GENERAL INFO (2) .....	4
2000 MM MODERN SAUNA .....	5
WOOD BURNING HARVIA HEATERS.....	9
WOOD BURNING HARVIA HEATER SAFETY DISTANCES APPLIED IN TIMBERIN SAUNAS.....	10
ELECTRIC HARVIA HEATERS.....	11
THERMAL INSULATION.....	12

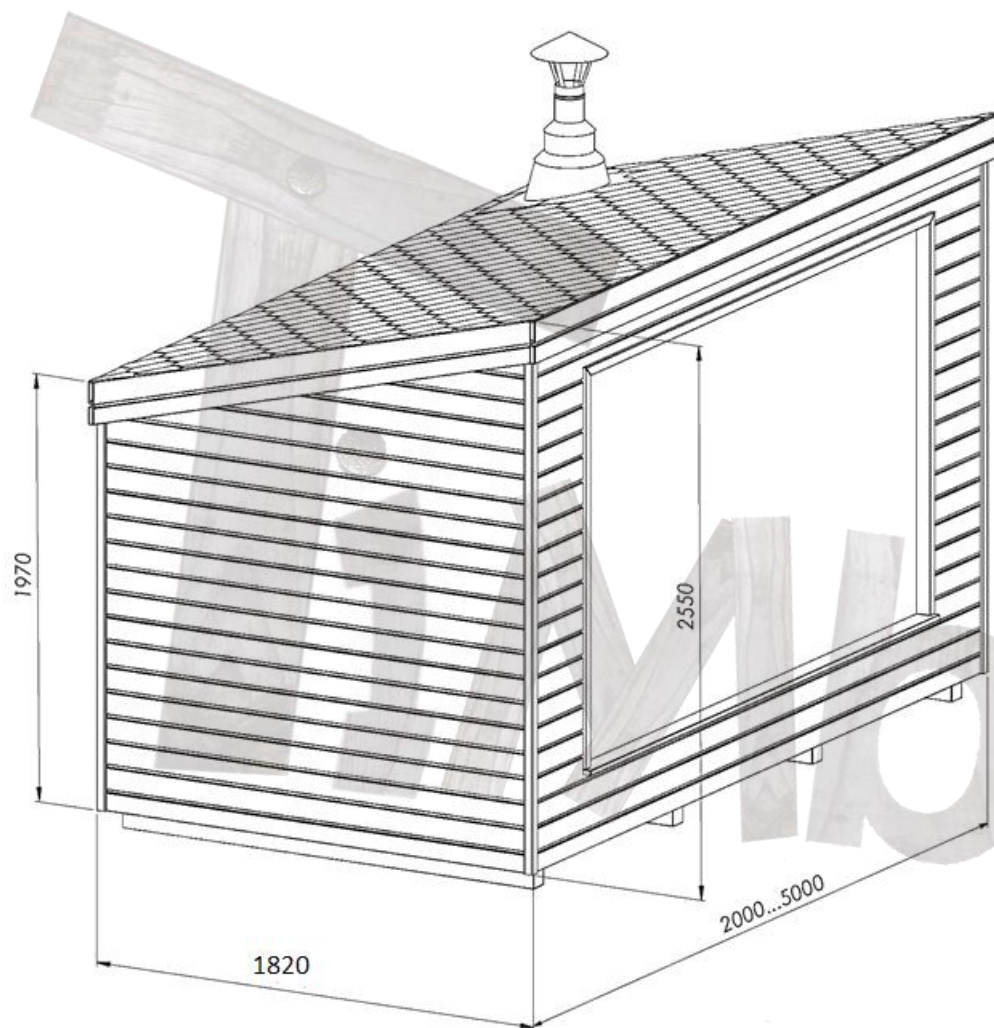
# GENERAL INFO (1)



MODEL	GENERAL MEASUREMENTS
(1)	
Base length	2000 mm
Exterior length	2050 mm
Roof exterior length	2370 mm
(2)	
Base length	3000 mm
Exterior length	3050 mm
Roof exterior length	3370 mm
(3)	
Base length	4000 mm
Exterior length	4050 mm
Roof exterior length	4370 mm
(4)	
Base length	5000 mm
Exterior length	5050 mm
Roof exterior length	5370 mm

 [3D view of this model](#)

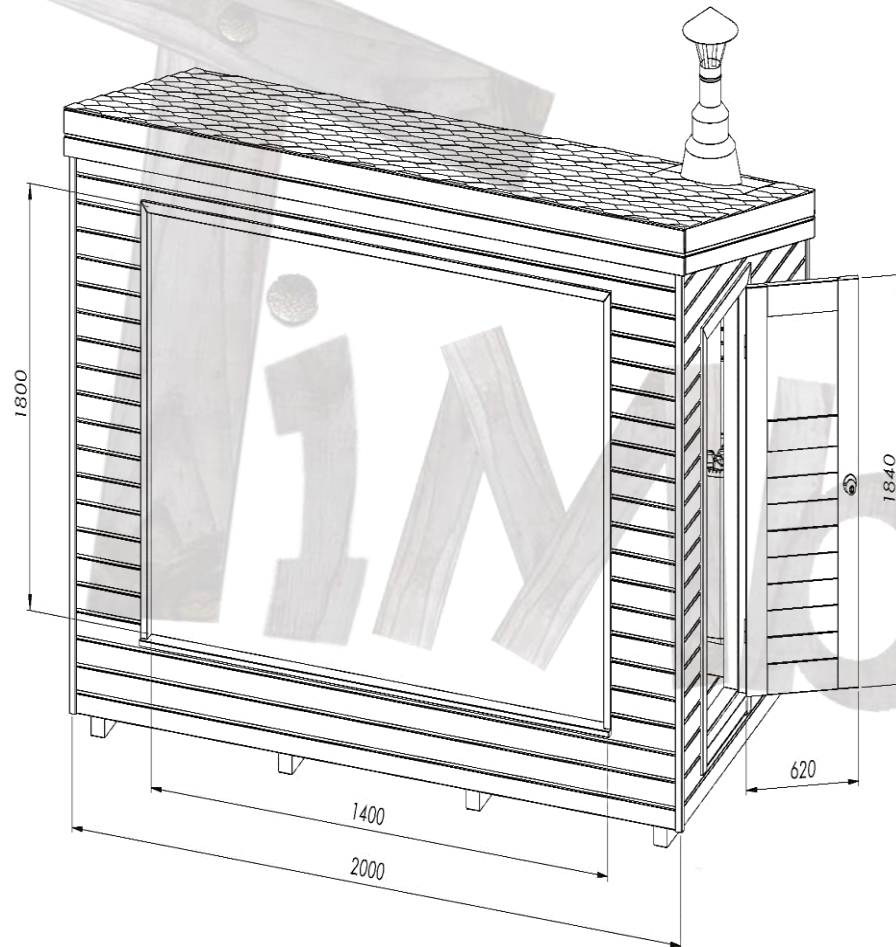
## GENERAL INFO (2)



MODEL	GENERAL MEASUREMENTS
Height (1)	1970 mm
Height (2)	2550 mm
Width	1820 mm
Length	2000 – 5000 mm

 [3D view of this model](#)

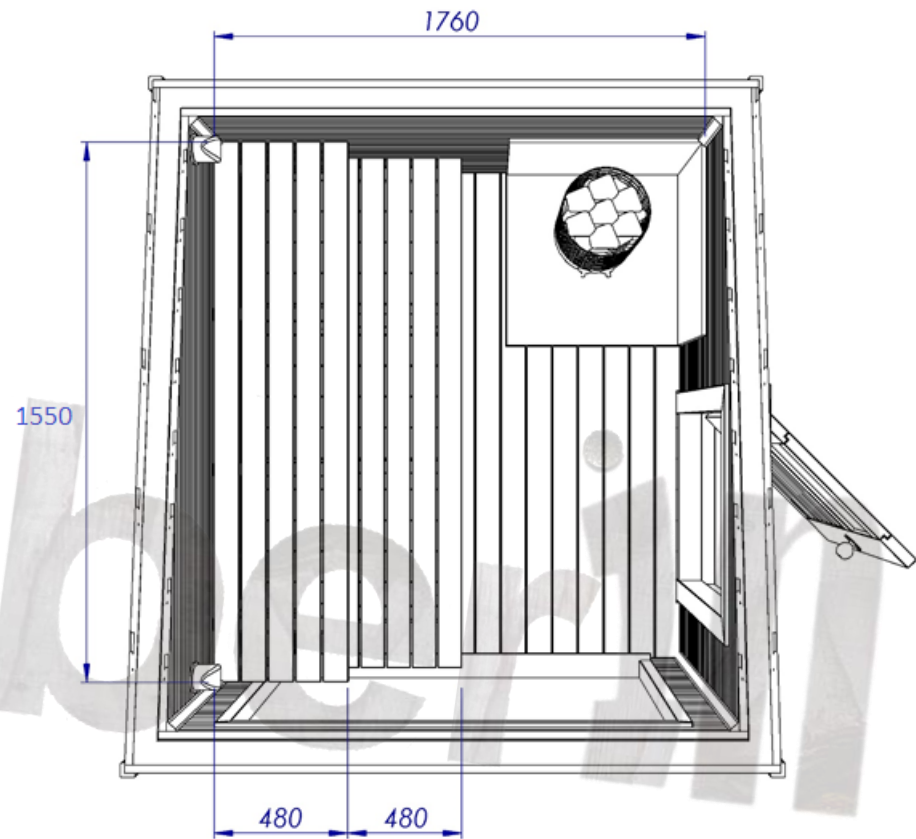
# 2000 MM MODERN SAUNA



MODEL	2000 MM MODERN SAUNA
Seating capacity	2 - 4
Length	2000 mm
Width	1820 mm
Height	2550 mm
Panoramic window	1800 x 1400 mm
Recommended official "Harvia" heater for this sauna	Harvia Cilindro 9 kW

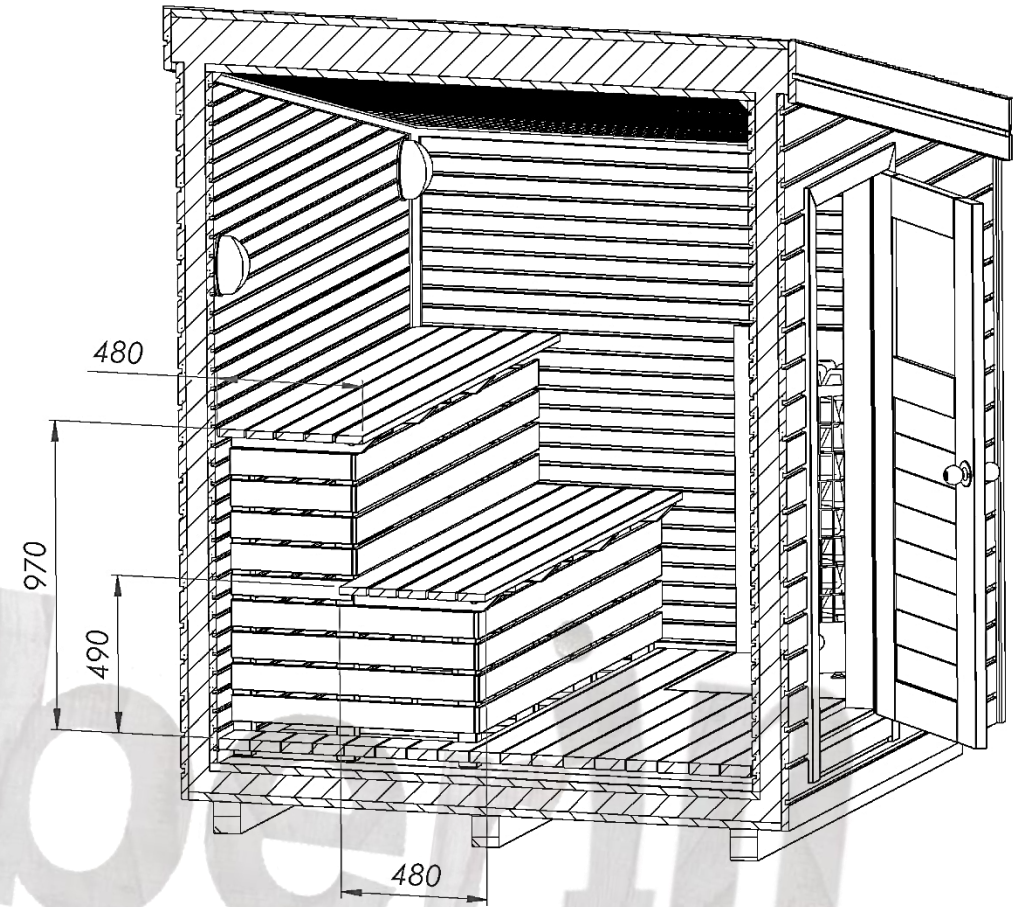
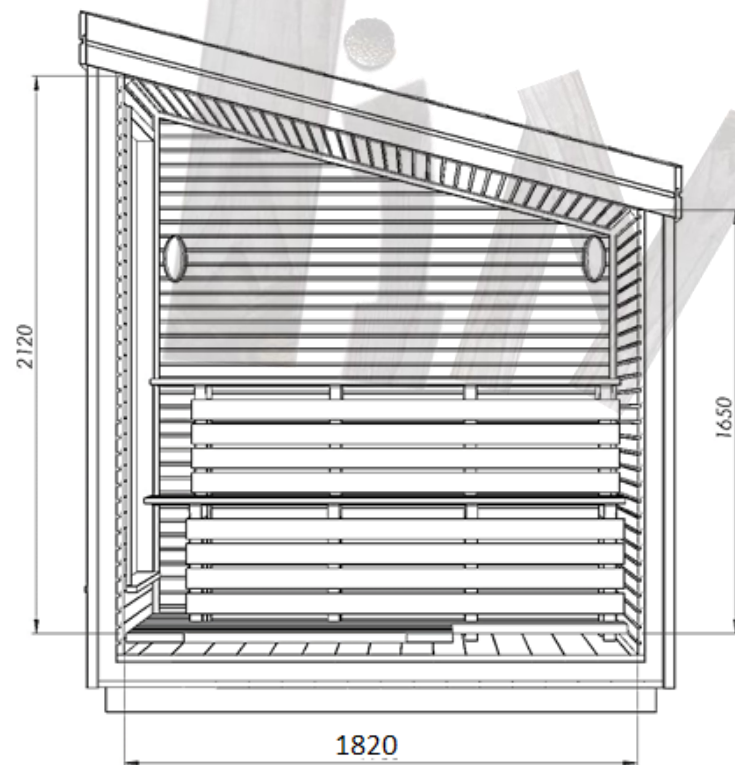
# INTERIOR LAYOUT (1)

MODEL	INTERIOR LAYOUT of insulated sauna
Length outside	2000 mm
Length inside	1760 mm
Width outside	1820 mm
Width inside	1550 mm
Length of the benches	1550 mm
Width of the benches	480 mm

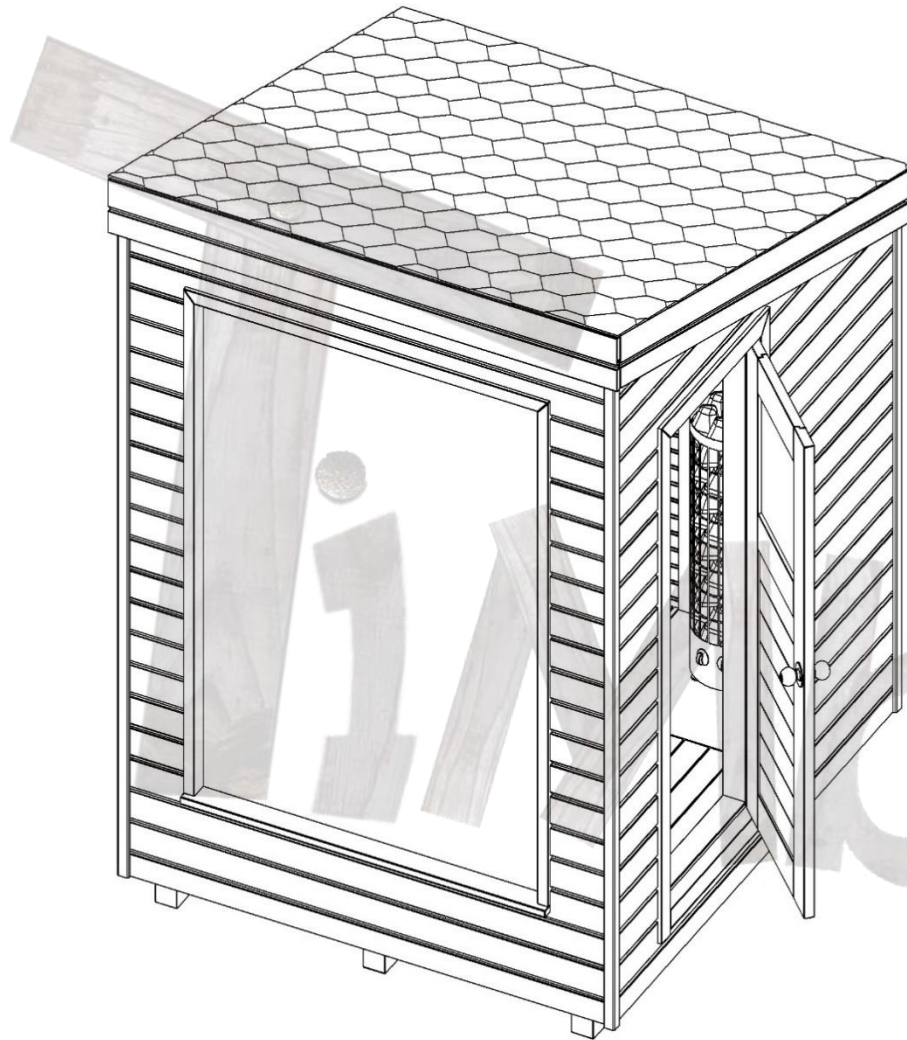


## INTERIOR LAYOUT (2)

MODEL	INTERIOR LAYOUT of insulated sauna
Height of the benches	490 mm 970 mm
Width of the benches	480 mm
Height inside	1650 mm 2120 mm



## DELIVERY INFO



MODEL 2000 MM MODERN SAUNA	DELIVERY INFO
<b>Assembled sauna measurements for shipping</b>	Height: 2550 mm Width: 1900 mm Length: 2370 mm  Weight ~1000 kg

# WOOD BURNING HARVIA HEATERS

**Recommended for 2 – 4 meter sauna room**  
Harvia M3 + chimney



The Harvia M3 has a classic design and is suitable for smaller, woodburning saunas. It turns a sauna bath into a pleasurable experience and adds a touch of traditional sauna atmosphere. The even heat and efficient air circulation guarantee an enjoyable bath.

**Output 16,5 kW**

**Stones max. 30 kg**

**User manual [HERE](#)**

**Recommended for 2 - 4 meter sauna room**  
Harvia M3 SL + chimney (logs loaded from outside instead of inside)



The SL models are designed for people who want to conveniently heat their sauna from another room or outside the building. SL stoves provide great bathing in small and medium-sized saunas.

**Output 16,5 kW**

**Stones max. 30 kg**

**User manual [HERE](#)**

**Recommended for 4 – 5 meter sauna room**  
Harvia 20 PRO + chimney



Harvia 20 Pro gives a good hot bath in medium-sized saunas. It has a big stone space and an air-flow spoiler made of stainless steel. Through the cast-iron glass door the warm glow of the fire adds to the sauna atmosphere.

**Output 24,1 kW**

**Stones max. 40 kg**

**User manual [HERE](#)**

**Recommended for 4 – 5 meter sauna room**  
Harvia 20 SL + chimney (logs loaded from outside instead of inside)



The SL models are designed for people who want to conveniently heat their sauna from another room or outside the building. SL stoves provide great bathing in small and medium-sized saunas.

**Output 24,1 kW**

**Stones max. 40 kg**

**User manual [HERE](#)**

## WOOD BURNING HARVIA HEATER SAFETY DISTANCES APPLIED IN TIMBERIN SAUNAS ACCORDING TO OFFICIAL HARVIA HEATERS SAFETY REQUIREMENTS

### HARVIA M3 / HARVIA M3 SL:

- Walls and benches made of inflammable materials. The minimum safety distances to inflammable materials:
  - on either side – 25 cm (B),
  - behind the stove – 30 cm (C), *due to installed cetris panel behind the heater the distance can be minimized,*
  - in the front – approx. 30 cm (D).
- Heater ground area is covered with cetris panel.

### HARVIA 20 PRO / HARVIA 20 SL:

- Walls and benches made of inflammable materials. The minimum safety distances to inflammable materials:
  - on either side – 30 cm (B),
  - behind the stove – 30 cm (C), *due to installed cetris panel behind the heater the distance can be minimized,*
  - in the front – approx. 30 cm (D).
- Heater ground area is covered with cetris panel.

### SAUNA CHIMNEY:

- Non insulated chimney min. 50 cm from inflammable materials (*side materials can be cover with cetris panel to reduce the distance*).
- Insulation between roof and insulated chimney min. 10 cm.
- Chimney insulation going down from the roof min. 43 cm.

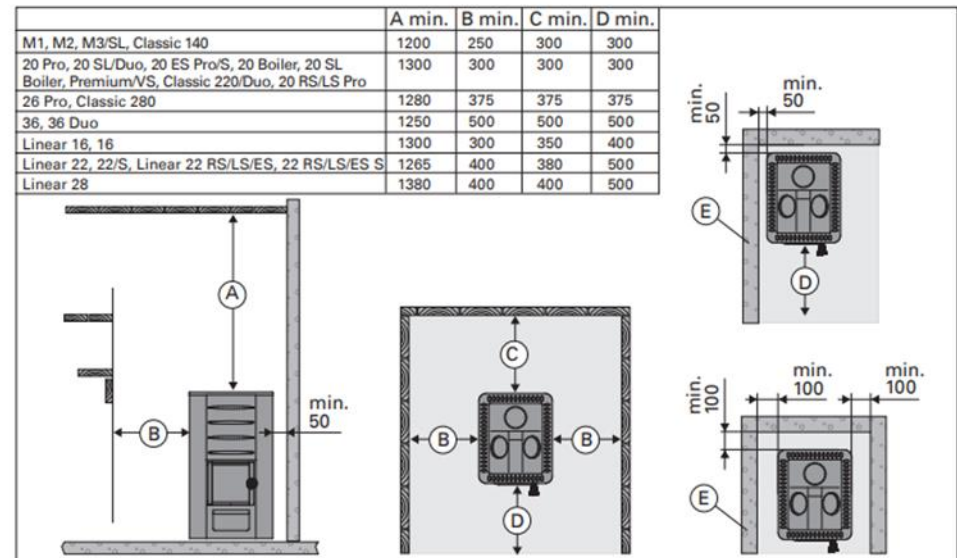


Figure 1 Safety distances (all dimensions in millimeters)

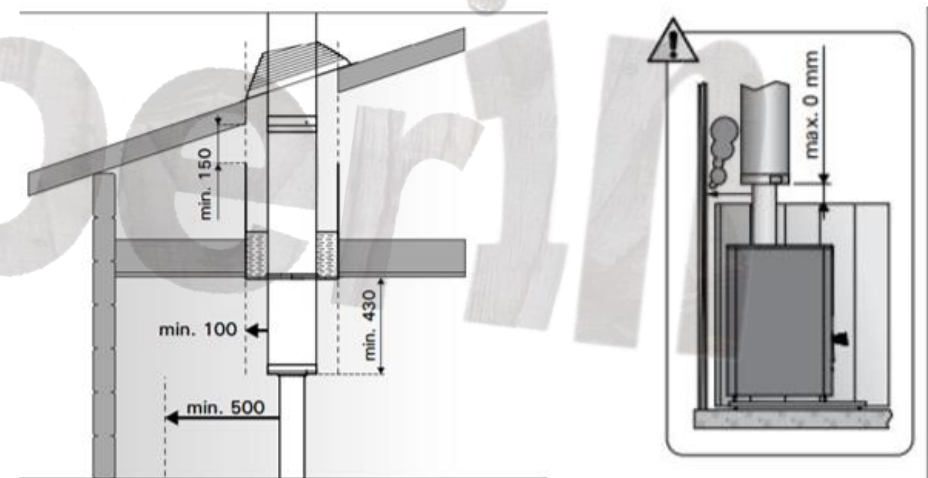


Figure 2 Safety distances for chimney (all dimensions in millimeters)

# ELECTRIC HARVIA HEATERS

**Recommended for 2 – 3 meter sauna room**  
**Cilindro 9 kW (PC90) with an integrated control unit**



Harvia Cilindro electric heater's massive sauna stone amount provides enjoyable sauna bath. Cilindro has an apertured outer casing made of stainless steel. You can adjust the nature of the heat from soft to sharp by throwing water either to the side of the heater or straight on top of the stone pillar.

**Output 9 kW**

**Stones max. 80 kg**

**User manual [HERE](#)**

**Recommended for 4 meter sauna room**  
**Cilindro 11 kW (PC110EE) including a separate control unit**



Harvia Cilindro 110EE heaters provide enjoyable heat for larger family saunas and saunas with large proportions of glass. The heaters are physically larger than other Cilindro models and they share the same well-balanced design language.

**Output 11 kW**

**Stones max. 120 kg**

**User manual [HERE](#)**

**Recommended for 5 meter sauna room**  
**Cilindro 13 kW (PRO 135E) including a separate control unit (Xafir CS170)**



The Cilindro Pro 135E is impressive source of heat and steam for family saunas, but commercial saunas, hotels and housing companies, for example, gain the most benefit from its features.

**Output 13,2 kW**

**Stones max. 140 kg**

**User manual [HERE](#)**

**For steam – herbal sauna room**  
**Senator combi 9 kW (T9C) including a separate control unit (Xafir CS110C)**



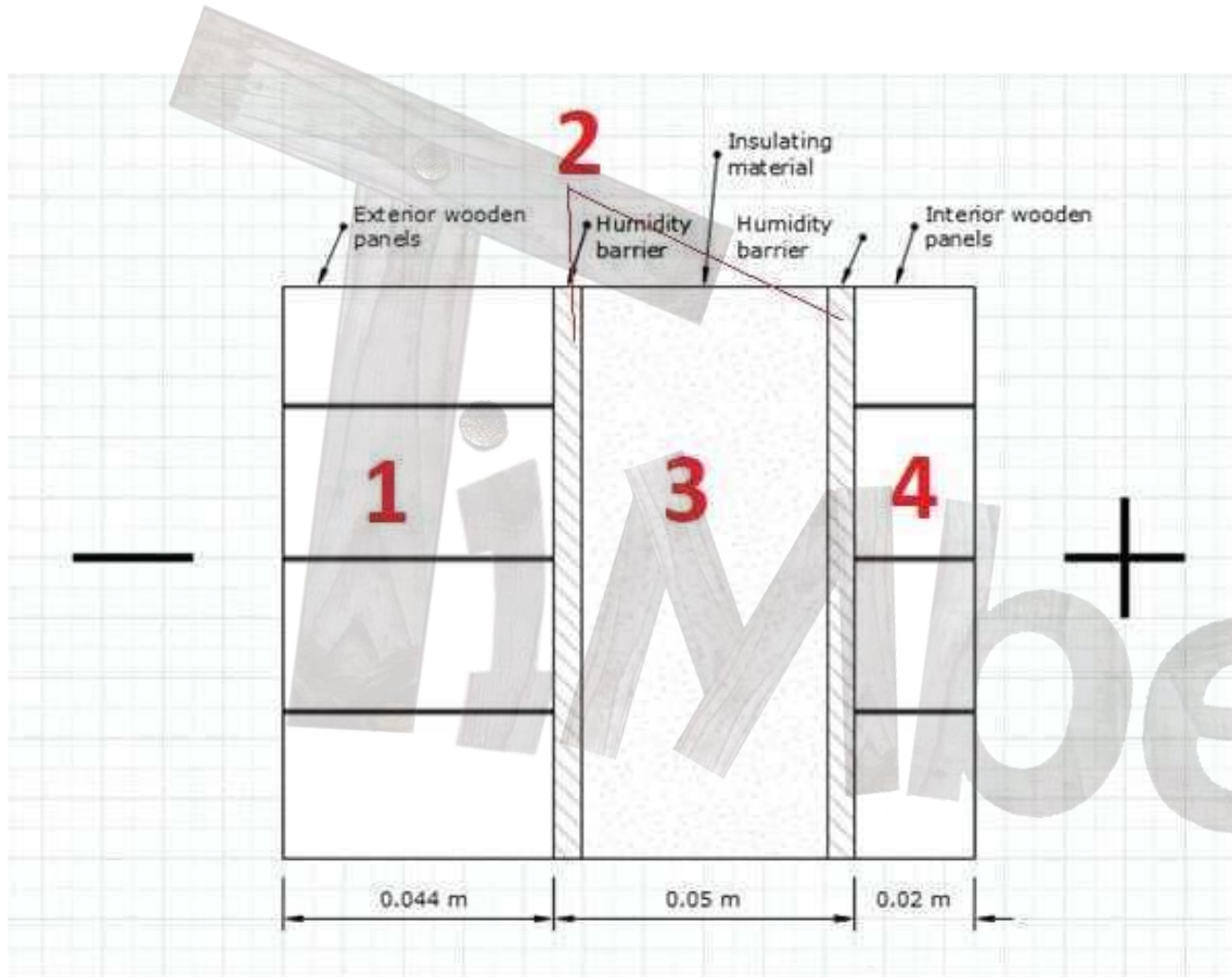
Harvia Senator Combi is a combined electric heater and steamer offering multiple ways of sauna bathing. Your sauna can become a traditional Finnish sauna, a steam sauna, a herbal sauna or a fragrant sauna – all sauna experiences in the same package.

**Output 9 kW**

**Stones max. 35 kg**

**User manual [HERE](#)**

# THERMAL INSULATION



## THE CROSS-SECTION VIEW OF INSULATED OUTDOOR SAUNA'S WALL

The first one (1) represents the wooden panels (44 mm thick).

The second one (2) – humidity barrier. The main aim of the humidity barrier is to eliminate the penetration of water or vapor to the insulation layer (3).

The nature of humidity barrier from outside and inside is different. The outside layer waterproofs the insulation and the inside humidity barrier does not allow the vapor to penetrate to the insulation layer. They both are very thin therefore their thickness is not mentioned.

The fourth (4) and the last layer is interior wooden panels, they are 20 mm of thickness. They are needed to support the insulation layer. It must be noted that the humidity barrier from the outside does not necessarily always have to be there. It depends on the type of sauna. The external wooden panels which form the wall of sauna are usually covered with bituminous shingles which act as waterproofing layer as well.

If you need more information then check our article [HERE](#)